

## 双防区扩展模块

欢迎选用宜居通——双防区扩展模块是具有总线通讯功能的防区扩展设备，其对于与远距离的探测设备的连接、或在周界防范等场合中非常实用；可与大型报警主机等系统配套使用；带有地址编码设置开关。

### 1. 技术参数

工作电压：直流 8.5-24 伏；工作电流：20 毫安；报警电流：20 毫安

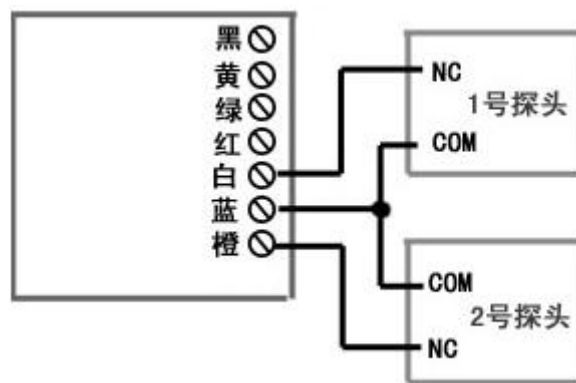
### 2. 接线说明

#### ● 接线说明：

该模块共有“黑、黄、绿、红、白、蓝、橙”7根连线，如果和总线连接，将“红、黑”分别接电源的正负，

“绿、黄”分别接 485 总线绿（正）黄（负），

“白、橙”分别接 1 号探测设备报警输出的常闭（NC）、2 号探测设备报警输出的常闭（NC），“蓝”接两个探测设备的公共端。防区接线图如左图。



- 在同一台报警主机上使用时，每一个报警模块有自己的唯一地址，不能与其它报警模块的地址相同。地址范围及设定，请参考报警主机的安装或使用手册。

### 3. 指示灯说明

#### ● 通信状态指示灯说明：

- 1) 常灭：模块电源不正常。
- 2) 常亮：模块通信不正常。
- 3) 闪烁：（1 秒钟闪 1 次），模块通信正常。

### 4. 地址编码开关

在将 802 接入系统使用时，必须对其进行地址编码，编码通过编码开关进行设置，地址编码采用 2 进制编码方式。

编码开关按“12345678”顺序排列设置二进制地址。

例如：某防区扩展模块的编码为 11；对应的位二进制数为：00001011，在地址拨码开关对应的顺序为 8-1（即高位为 8，低位为 1）。8，7，6，5，3 位不动，1，2，4 位拨到”ON”一边。地址编码表见背面。

**注意：请按照本安装指南进行安装；在连接单防区地址模块之前请先断开系统电源。**

附：地址编码表

● = 拨码开关闭合状态 (ON)

地址	开关状态								地址	开关状态								地址	开关状态								地址	开关状态											
	1	2	3	4	5	6	7	8		1	2	3	4	5	6	7	8		1	2	3	4	5	6	7	8		1	2	3	4	5	6	7	8				
0									60			●	●	●	●			120			●	●	●	●			180			●	●	●	●						
1	●								61	●		●	●	●	●			121	●		●	●	●	●			181	●		●	●	●	●						
2		●							62		●	●	●	●	●			122		●	●	●	●	●			182		●	●	●	●	●						
3	●	●							63	●		●	●	●	●			123	●		●	●	●	●			183	●	●	●	●	●							
4			●						64							●		124			●	●	●	●			184			●	●	●	●						
5	●		●						65	●							●		125	●		●	●	●	●			185	●		●	●	●	●					
6		●	●						66		●						●		126		●	●	●	●	●			186		●	●	●	●	●					
7	●	●	●						67	●	●						●		127	●	●	●	●	●	●			187	●	●	●	●	●	●					
8				●					68			●					●		128							●		188		●	●	●	●	●					
9	●			●					69	●		●					●		129	●						●		189	●		●	●	●	●					
10		●		●					70		●	●					●		130		●					●		190		●	●	●	●	●	●				
11	●	●		●					71	●	●	●					●		131	●	●					●		191	●	●	●	●	●	●	●				
12			●	●					72				●				●		132			●				●		192						●	●				
13	●		●	●					73	●		●					●		133	●		●				●		193	●					●	●				
14		●	●	●					74		●		●				●		134		●	●				●		194		●				●	●				
15	●	●	●	●					75	●	●		●				●		135	●	●	●				●		195	●	●				●	●				
16					●				76			●	●				●		136			●				●		196			●	●		●	●				
17	●				●				77	●		●	●				●		137	●		●				●		197	●		●			●	●				
18		●			●				78		●	●	●				●		138		●		●			●		198		●	●			●	●				
19	●	●			●				79	●	●	●	●				●		139	●	●		●			●		199	●	●	●			●	●				
20			●		●				80				●				●		140			●	●			●		200			●			●	●				
21	●	●		●	●				81	●			●				●		141	●		●	●			●		201	●		●			●	●				
22		●	●		●				82		●		●				●		142		●	●	●			●		202		●				●	●				
23	●	●	●		●				83	●	●		●				●		143	●	●	●	●			●		203	●	●		●		●	●				
24				●	●				84			●		●			●		144				●			●		204			●	●		●	●				
25	●			●	●				85	●		●		●			●		145	●			●			●		205	●		●	●		●	●				
26		●		●	●				86		●	●		●			●		146		●		●			●		206		●	●	●		●	●				
27	●	●		●	●				87	●	●	●		●			●		147	●	●		●			●		207	●	●	●	●		●	●				
28			●	●	●				88				●	●			●		148			●		●			●		208			●			●	●			
29	●	●	●	●	●				89	●		●	●	●			●		149	●		●		●			●		209	●			●		●	●			
30		●	●	●	●				90		●		●	●			●		150		●	●	●			●		210		●		●		●	●				
31	●	●	●	●	●				91	●		●		●			●		151	●		●	●			●		211	●	●		●		●	●				
32						●			92			●	●	●			●		152				●	●			●		212			●			●	●			
33	●					●			93	●		●	●	●			●		153	●		●	●			●		213	●		●		●		●	●			
34		●				●			94		●	●	●	●			●		154		●		●	●			●		214		●	●		●	●				
35	●	●				●			95	●	●	●	●	●			●		155	●	●		●	●			●		215	●	●	●		●		●	●		
36			●			●			96						●	●		156			●	●	●			●		216			●	●		●	●				
37	●		●			●			97	●					●	●		157	●		●	●	●			●		217	●		●	●		●	●				
38		●	●			●			98		●				●	●		158		●	●	●	●			●		218		●		●	●		●	●			
39	●	●	●			●			99	●	●				●	●		159	●	●	●	●	●			●		219	●	●	●	●		●	●				
40				●		●			100			●			●	●		160						●		●		220		●		●		●	●				
41	●			●		●			101	●		●			●	●		161	●				●			●		221	●		●	●		●	●				
42		●		●		●			102		●	●			●	●		162		●			●			●		222		●	●	●		●	●				
43	●	●		●		●			103	●	●	●			●	●		163	●	●			●			●		223	●	●	●	●		●	●				
44			●	●		●			104				●			●		164			●					●		224					●	●	●				
45	●		●	●		●			105	●			●			●		165	●		●				●		225	●				●	●	●					
46		●	●	●		●			106		●		●			●		166		●	●			●		●		226		●			●	●	●				
47	●	●	●	●		●			107	●	●		●			●		167	●	●	●	●			●		227	●	●			●	●	●					
48					●				108			●	●	●			●		168			●		●		●		228			●		●	●	●				
49	●				●				109	●		●	●	●			●		169	●		●		●		●		229	●		●		●	●	●				
50		●			●				110		●	●	●			●		170		●		●		●		●		230		●	●		●	●	●				
51	●	●			●				111	●	●	●	●			●		171	●	●		●		●		●		231	●	●	●		●	●	●				
52			●		●				112				●	●			●		172			●	●		●		232			●		●	●	●					
53	●		●		●				113	●			●	●			●		173	●		●	●		●		233	●		●		●	●	●					
54		●	●		●				114		●		●	●			●		174		●	●	●		●		234		●		●		●	●	●				
55	●	●	●		●				115	●	●		●	●			●		175	●	●	●	●		●		235	●	●	●		●	●	●					
56				●	●				116			●		●	●		●		176				●	●		●		236		●	●		●	●	●				
57	●			●	●				117	●		●		●	●		●		177	●		●		●		●		237	●		●		●	●	●				
58		●			●				118		●		●		●		●		178		●			●		●		238		●	●	●		●	●				
59	●	●			●				119	●	●	●		●	●	</																							